



Solenoid valve 2/2 way N.C. Direct acting Explosion proof - EEx m II T 4

21A3QDV15
÷
21A2QDV55

PRESENTATION:

Direct acting S.V. for interception of fluids compatible with the construction materials.

Minimum operational pressure is not required.

The materials used and the tests carried out ensure maximum reliability and duration.

USE: Potentially explosive atmospheres

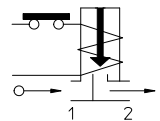
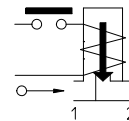
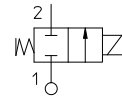
PIPE: G 1/8 - G 1/4

COILS: Series TNA - Ø 14,5
(For characteristic see catalogue page)

Max. allowable pressure (PS) 40 bar
Environment temperature - 20°C + 50°C
Temperature max. medium + 80°C



Gaskets	Temperature		Medium
	-	+	
V=FKM (fluoroelastomer)	- 10°C	+ 80°C	Mineral oils (2°E), gasoline gas oil, fuel oils (7°E)
F=H-NBR	- 20°C	+ 80°C	Air, inert gas, water R 134a, R 404a



For seals other than FKM replace the letter "V" with the ones corresponding to the other seals. E.I. 21A2QDF15..

Pipe ISO 228/1	Code	Max viscosity		Ø mm	Kv l/mn	Power (watt)	Pressure		
		cSt	°E				min bar	M.O.P.D.	
								AC bar	DC bar
G 1/8	21A3QDV15	12	~ 2	1,5	1,4	(See TNA coils catalogue page)	0	16	16
	21A3QDV20	37	~ 5	2	2			16	16
	21A3QDV25	53	~ 7	2,5	3,2			14	9
	21A3QDV30			3	4			10	6
	21A3QDV45			4,5	6,5			5	2
G 1/4	21A2QDV15	12	~ 2	1,5	1,4			16	16
	21A2QDV20	37	~ 5	2	2			16	16
	21A2QDV25	53	~ 7	2,5	3,2			14	9
	21A2QDV30			3	4			10	6
	21A2QDV45			4,5	6,5			5	2
	21A2QDV55			5,5	9	3	1		

(ATEX/ITA/08/011
According to Directive 94/9/CE ATEX)

SPECIAL ITEM-NOT STANDARD

Note

Available on request and with minimum quantities.

The "ODE" reserves the right to carry out technical and aesthetic modifications without prior notification.

MATERIALS:

Body	Brass - UNI EN 12165 CW617N
Armature tube	Stainless steel AISI series 300
Fixed core	Stainless steel AISI series 400
Plunger	Stainless steel AISI series 400
Phase displacement ring	Copper - Cu 99,9%
Spring	Stainless steel AISI series 300
Seal	Standard: V=FKM On request: F=H-NBR

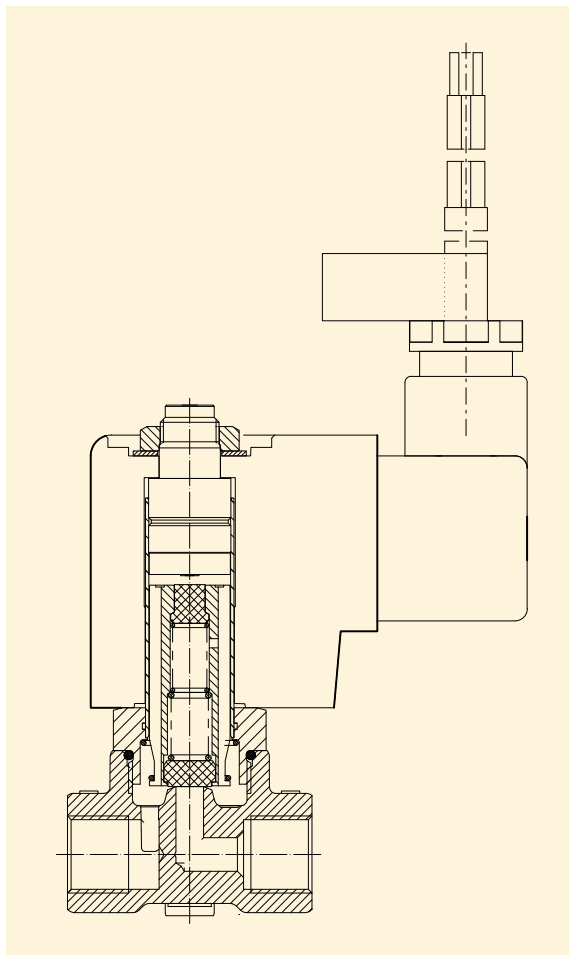
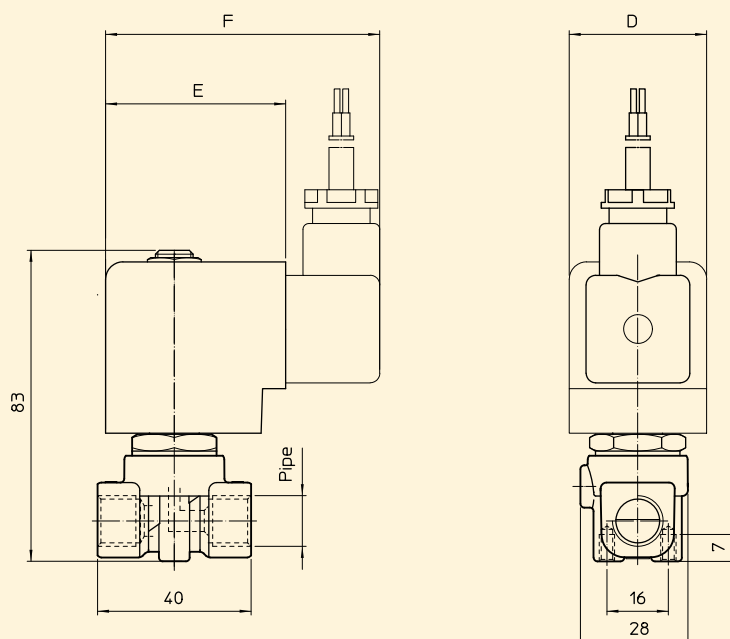
Orificio:	
≤ 3 mm	Sede Riportata Stainless steel AISI series 3000
> 3 mm	Brass - UNI EN 12165 CW617N

FEATURES:

Protection degree	IP 65 EN 60529 (DIN 40050)
--------------------------	----------------------------

SPARE PARTS:

These articles cannot be supplied
as spare part according to Directive 94/9/CE ATEX

**DIMENSIONS:** SPECIAL ITEM-NOT STANDARD

Type	Pipe ISO 228/1
21A3QDV	G 1/8
21A2QDV	G 1/4

TYPE	DIMENSION		
	D mm	E mm	F mm
T	36	47	71,4