



# Vibration Pump

# PX50

### APPLICATION:

Coffee Machines,  
Floor Cleaning Machines,  
Steam Ironing Stations

### SPECIFICATIONS:

|                         |                                               |
|-------------------------|-----------------------------------------------|
| Outlet                  | G 1/8                                         |
| Pressure                | 15 bar                                        |
| Fluids                  | Water                                         |
| Max Ambient Temperature | 35°C                                          |
| Max Fluid Temperature   | 35°C                                          |
| Dead head Pressure      | See graphich                                  |
| Free Flow Rate          | See graphich                                  |
| Terminals               | 6.3mm x 0.8mm Faston type                     |
| Endurance               | 18000 cycles<br>(base on 1 min ON, 1 min OFF) |

Not require External Type Diode



Proven sealing system for reliable and long life application

| Code               | Voltages<br>Frequency | ON/OFF<br>min. | Class     | Consumption | Approvals       |
|--------------------|-----------------------|----------------|-----------|-------------|-----------------|
| TPX50120V-A1M-N06R | 120 ~ 60              | 1/1            | F (155°C) | 0,78 A      | LFGB - NSF - UL |
| P992124-AP         | 230 ~ 50              | 1,5/1          | H (180°C) | 53 W        | CE - NSF - VDE  |

### MATERIALS:

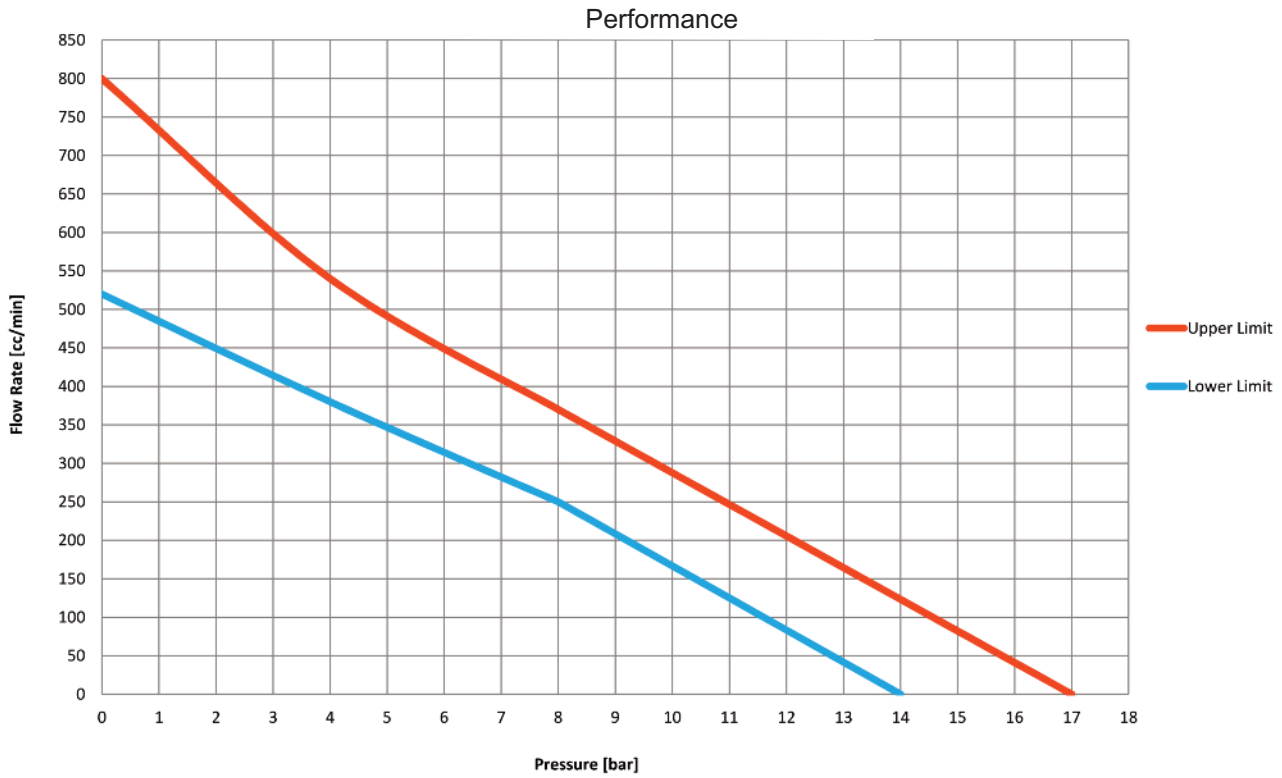
|                 |                            |
|-----------------|----------------------------|
| Plunger         | Stainless Steel series 400 |
| Spring          | Stainless Steel series 300 |
| No return valve | NBR                        |
| Seal            | EPDM/Silicon               |
| Plastic Parts   | PA66 Based Polymer         |

### Ordering part number:

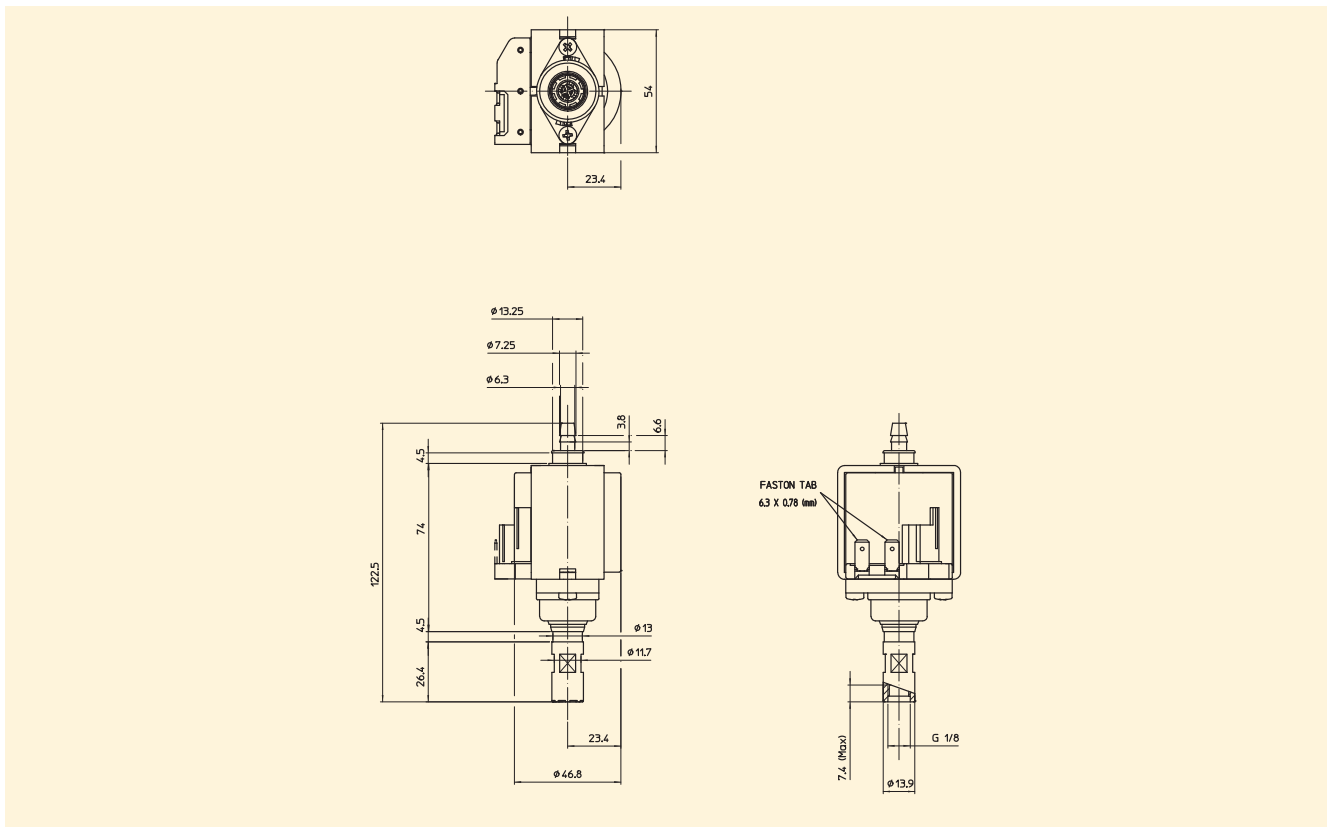
TPX50120V-A1M-N06R (120V 60Hz)  
P992124-AP (230V 50Hz)

The "ODE" reserves the right to carry out and aesthetic modifications without prior notification.

## PERFORMANCE CURVE:



## DIMENSIONS:



Note: continuous dry-run would damage the unit permanently.